



## UHF Female to UHF Female Adapter

### TECHNICAL DATA SHEET

PE9094

#### UHF Female to UHF Female Adapter

##### Configuration

Connector 1	UHF Female
Impedance 1	50 Ohms
Connector 2	UHF Female
Impedance 2	50 Ohms
Adapter Design	Standard
Body Style	Straight

##### Electrical Specifications

Frequency Range, MHz	DC to 300
Maximum VSWR	1.3:1
Maximum Operating Voltage, Volts	500
Dielectric Withstanding Voltage, Vrms	1,500

##### Mechanical Specifications

###### Temperature

Operating Range, deg C	-55 to +85
------------------------	------------

###### Size

Length, in [mm]	1.14 [28.96]
Width/Dia., in [mm]	0.625 [15.88]

###### Connector 1

Type	UHF Female
Inner Conductor Material and Plating	Brass, Gold
Body Material and Plating	Brass, Nickel
Body Plating Specification	100µ in. minimum
Dielectric Type	Teflon

###### Connector 2

Type	UHF Female
Inner Conductor Material and Plating	Brass, Gold
Body Material and Plating	Brass, Nickel
Body Plating Specification	100µ in. minimum
Dielectric Type	Teflon

##### Compliance Certifications (visit [www.Pasternack.com](http://www.Pasternack.com) for current document)

RoHS Compliant	Yes
----------------	-----

Click the following link (or enter part number in "SEARCH" on website) to obtain additional part information including price, inventory and certifications: [UHF Female to UHF Female Adapter PE9094](#)

The information contained in this document is accurate to the best of our knowledge and representative of the part described herein. It may be necessary to make modifications to the part and/or the documentation of the part, in order to implement improvements. Pasternack reserves the right to make such changes as required. Unless otherwise stated, all specifications are nominal.

## UHF Female to UHF Female Adapter



### TECHNICAL DATA SHEET

PE9094

#### Plotted and Other Data

Notes:

Values at 25 °C, sea level

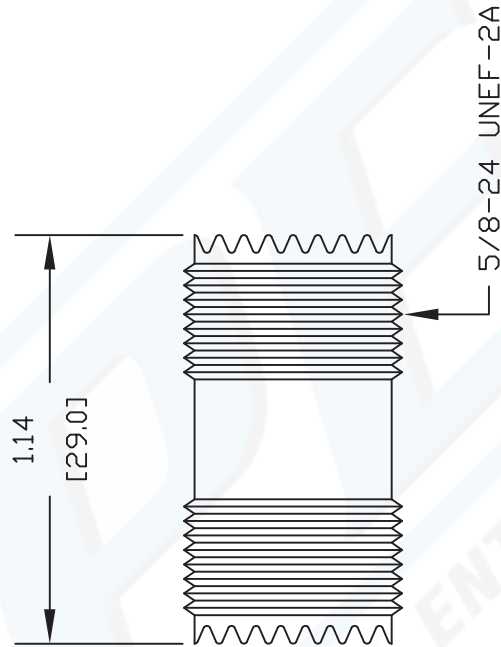
URL: <http://www.pasternack.com/uhf-female-uhf-female-straight-adapter-pe9094-p.aspx>

UHF Female to UHF Female Adapter from Pasternack Enterprises has same day shipment for domestic and International orders. Our RF, microwave and fiber optic products maintain a 99% availability and are part of the broadest selection in the industry.

The information contained in this document is accurate to the best of our knowledge and representative of the part described herein. It may be necessary to make modifications to the part and/or the documentation of the part, in order to implement improvements. Pasternack reserves the right to make such changes as required. Unless otherwise stated, all specifications are nominal.

# PE9094 CAD Drawing

## UHF Female to UHF Female Adapter



DWG TITLE

**PE9094**

NOTES:  
 1. UNLESS OTHERWISE SPECIFIED ALL DIMENSIONS ARE NOMINAL.  
 2. ALL SPECIFICATIONS ARE SUBJECT TO CHANGE WITHOUT NOTICE AT ANY TIME.  
 3. DIMENSIONS ARE IN INCHES [mm].

REV. -

FSCM NO. 53919

CAD FILE 082702

SCALE N/A

SIZE A

127



Pasternack Enterprises, Inc.  
 P.O. Box 16759 | Irvine | CA | 92623  
**Phone:** (949) 261-1920 | **Fax:** (949) 261-7451  
**Website:** [www.pasternack.com](http://www.pasternack.com) | **E-Mail:** [sales@pasternack.com](mailto:sales@pasternack.com)